

Engine Specifications

Engine Model		L48N		L70N		L100N		
Type		4 stroke, vertical cylinder, air cooled diesel engine						
No. of Cylinders		1						
Bore x Stroke		mm Φ70 x 57		mm Φ78 x 67		mm Φ86 x 75		
Displacement		liter 0.219		liter 0.320		liter 0.435		
Continuous Rated Output	Engine Speed	rpm(min <sup>-1</sup> )	3600	3000	3600	3000	3600	3000
	Output	kw [PS]	3.1 [4.2]	2.8 [3.8]	4.4 [6.0]	4.1 [5.6]	6.6 [9.0]	5.7 [7.7]
Maximum Rated Output	Engine Speed	rpm(min <sup>-1</sup> )	3600	3000	3600	3000	3600	3000
	Output / Eng. Speed	kw [PS]	3.5 [4.7]	3.1 [4.2]	4.9 [6.7]	4.5 [6.1]	7.4 [10.0]	6.5 [8.8]
High Idling		rpm(min <sup>-1</sup> )	3800±30	3175±30	3800±30	3175±30	3800±30	3175±30
Engine Weight (Dry)	Electric Starter	kg	32.0		41.0		53.5	
	Recoil Start	kg	27.0		36.0		48.5	
Cooling System		Forced Air by Flywheel Fan						
Lubricating System		Forced lubrication with Trochoid Pump						
Starting System		Electric start / Recoil start						
Dimension	Overall Length (L)	mm	332		378		412	
	Overall Width (W)	mm	384		422		471	
	Overall Height (H)	mm	417		453		494	
Lubricating System	Dispstick Upper Limit	liter	0.80		1.05		1.6	
	Dispstick Lower Limit	liter	0.55		0.65		1.0	
Fuel oil tank capacity		liter	2.4		3.3		5.4	

Accessories

Engine Model		L48N			L70N			L100N		
		General	Generator	Pump	General	Generator	Pump	General	Generator	Pump
Fuel system	Fuel tank (2.4 liter)	○	○	○						
	Fuel tank (3.3 liter)				○	○	○			
	Fuel tank (5.4 liter)							○	○	○
	w/o Fuel tank	△	△	△	△	△	△	△	△	△
Starting system	Starting motor (w/Recoil starter)	○	○	○	○	○	○	○	○	○
	Recoil starter	△	△	△	△	△	△	△	△	△
	Key switch	○	○	○	○	○	○	○	○	○
	w/o Key switch	△	△	△	△	△	△	△	△	△
Electric system	Charging dynamo (12V-15A)	○	○	○	○	○	○	○	○	○
	Charging dynamo (12V-1A)	△	△	△	△	△	△	△	△	△
	w/o Charging dynamo	△	△	△	△	△	△	△	△	△
PTO system	Straight (E-D)	○			○			○		
	Straight (D)	△			△			△		
	Taper (E-DG)		○			○			○	
	Taper (DG)		△			△			△	
	Taper (E-DI)		△			△			△	
	Thread (E-DIP)			○			○			○
Speed control device	Thread (DP)			△			△			△
	General use (by remote & hand)	○	△	△	○	△	△	○	△	△
	Constant speed type (by hand)	△	○	△	△	○	△	△	○	△
Maintenance tools	Friction plate type (by hand)	△	△	○	△	△	○	△	△	○
		○	○	○	○	○	○	○	○	○

Note : All data subject to alteration without notice.

**YANMAR CO.,LTD.**

1-32, Chayamachi, Kita-ku, Osaka 530-8311, Japan  
Telephone:+81-6-6376-6411 Facsimile:+81-6-6377-1243  
http://www.yanmar.co.jp/en/

**L-N Series**

**L48N**  
Output:3.5kW(4.7ps)

**L70N**  
Output:4.9kW(6.7ps)

**L100N**  
Output:7.4kW(10.0ps)

Environmental Expectations



Easy Installation  
& Low Fuel Consumption

# Exceeding Power and Environmental Expectations.

Designed with Yanmar's proprietary direct injection technology, maximum combustion efficiency is realized through the ideal match between the combustion chamber and injection system. This means a powerful, but environmentally friendly engine.

## Compact, Direct injection Engine = Easy installation & Low Fuel Consumption

Keeping with the tradition of compact design, the new L-N series are simple to install. It fits in cramped spaces without sacrificing power and performance. Yanmar's proprietary direct injection technology allows the engine to sip rather than gorge on fuel. This means lower running cost in the world of rising fuel prices.

## Low Vibration and Low Noise

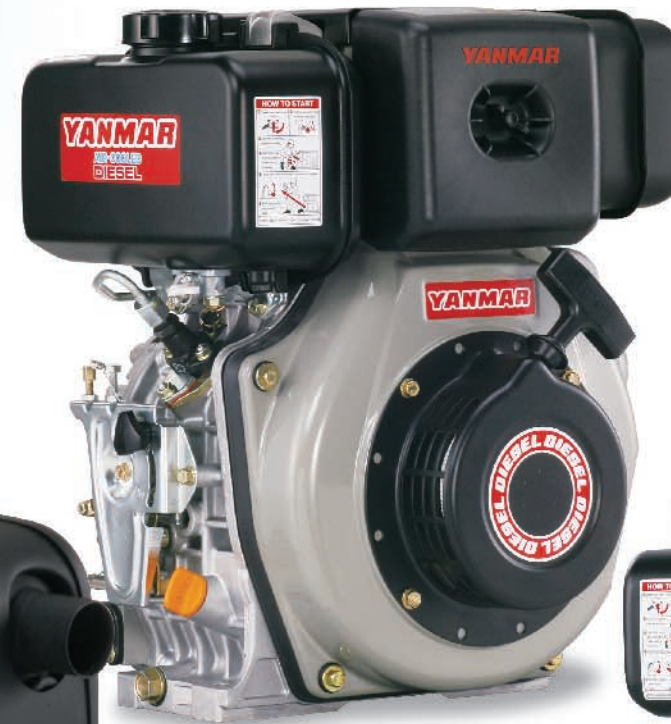
Superior vibration and noise reduction is achieved through the use of precision balancers. This leads to operating comfort even under long work hours.

## Quick and Easy Start

Starting is a breeze with the standard recoil starter. Starter motor and switch are also available as an option.



L100N



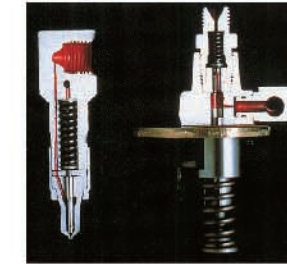
L70N



L48N

## The total FIE expertise only a complete diesel maker can provide.

Yanmar developed the miniaturized fuel injection system, one of the world's smallest. We have since raised it to a level of efficiency that ensures you maximum power from every drop of diesel. Its extraordinarily low fuel consumption is a result of this super-precise FIE and its direct injection system — the first ever to go into this type of engine.



## A little engine built to stand up to hard work.

The design, structure and materials of the L-N combine to form a rugged, hard working machine. With tough but lightweight alloys used for main engine parts, an extra tough crankshaft and an overall simplified structure the L-N is a compact package of power.

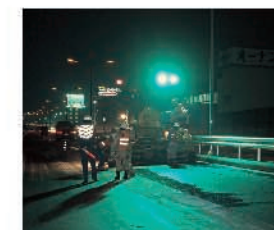
## Fast, effortless starts from a one-pull recoil starter.

A short and smooth pull of the toggle kicks off the engine, as simple as a gasoline model. It is made easy by a special auto-return decompressor and Yanmar's own efficient combustion system. Electric starting is also a useful option.

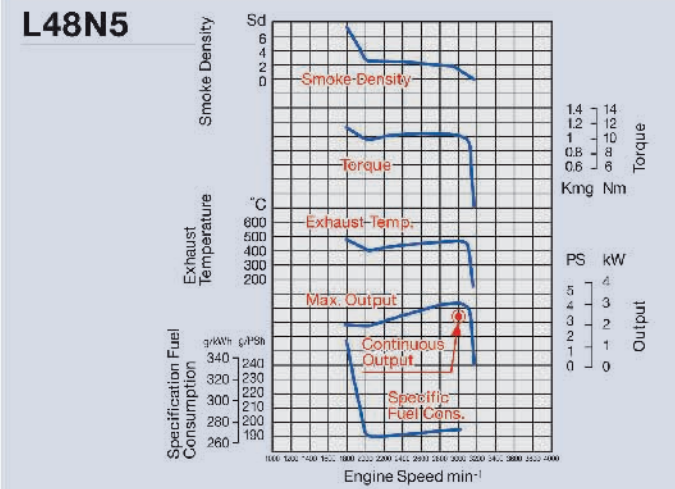


AIR COOLED DIESEL ENGINE

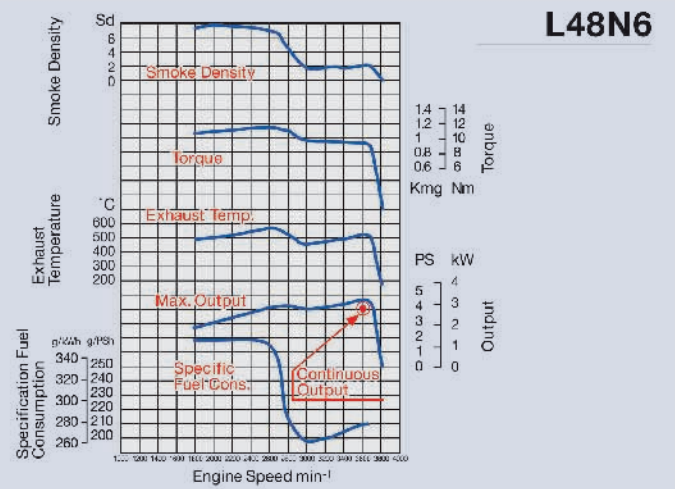
**L-N series** L48N L70N L100N  
3.5kW(4.7hp) 4.9kW(6.7hp) 7.4kW(10.0hp)



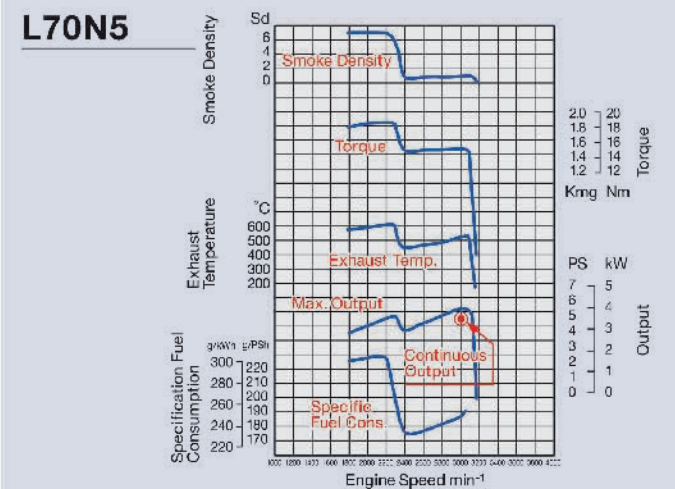
# Performance Curves



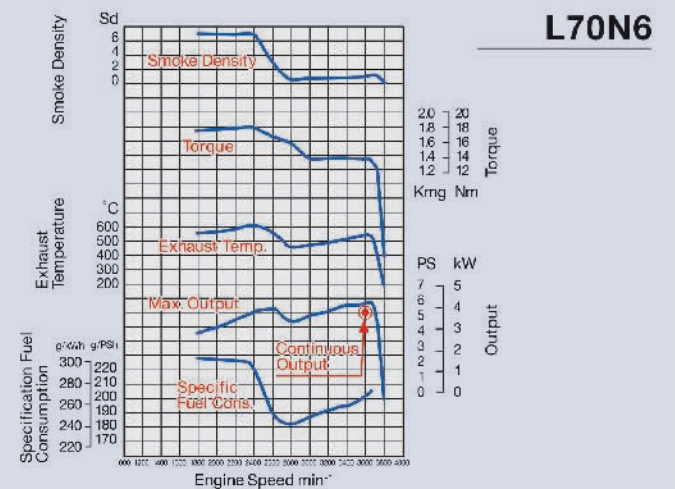
Notes: This performance is under the following condition.  
After 30 hrs. initial running  
Atmospheric conditions: Temperature 298 K (25°C)  
Pressure 100 kPa (750 mmHg)  
Humidity 30%



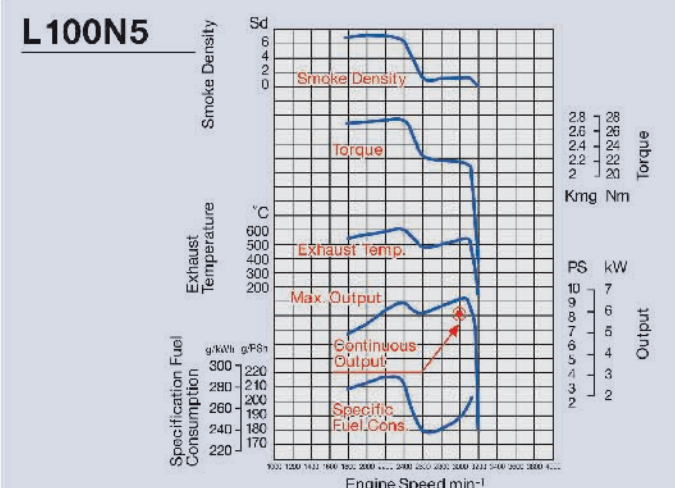
Notes: This performance is under the following condition.  
After 30 hrs. initial running  
Atmospheric conditions: Temperature 298 K (25°C)  
Pressure 100 kPa (750 mmHg)  
Humidity 30%



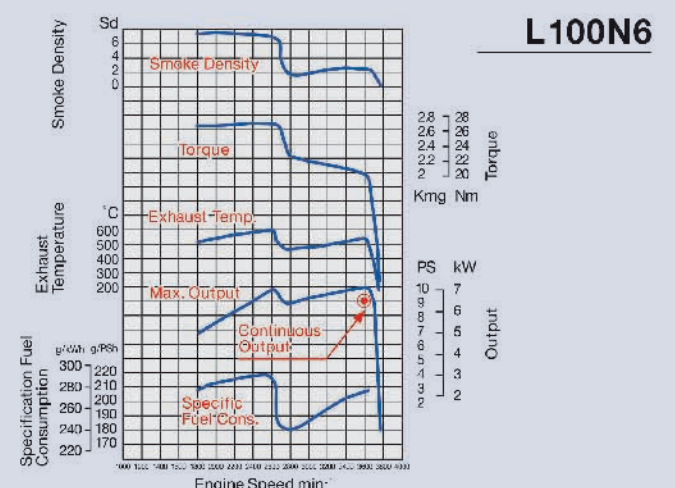
Notes: This performance is under the following condition.  
After 30 hrs. initial running  
Atmospheric conditions: Temperature 298 K (25°C)  
Pressure 100 kPa (750 mmHg)  
Humidity 30%



Notes: This performance is under the following condition.  
After 30 hrs. initial running  
Atmospheric conditions: Temperature 298 K (25°C)  
Pressure 100 kPa (750 mmHg)  
Humidity 30%

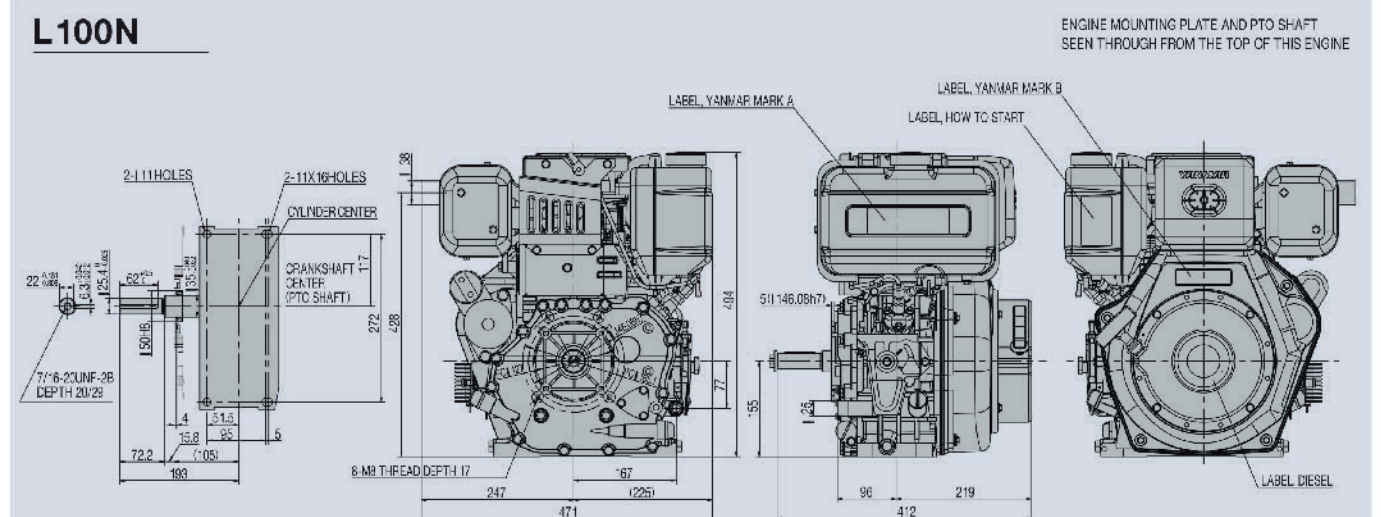
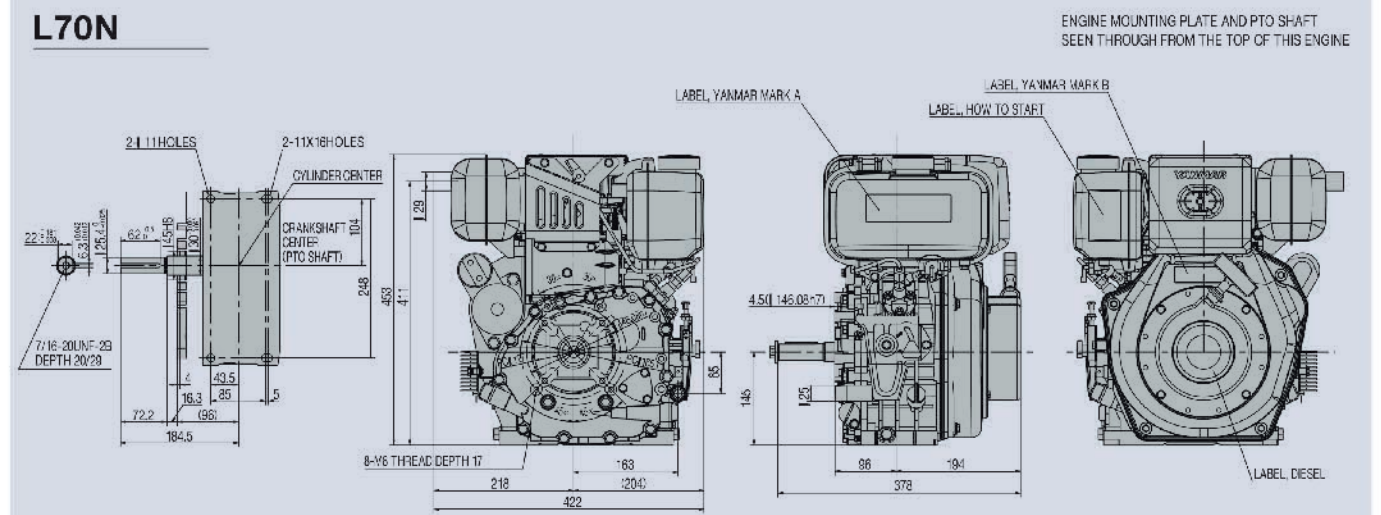
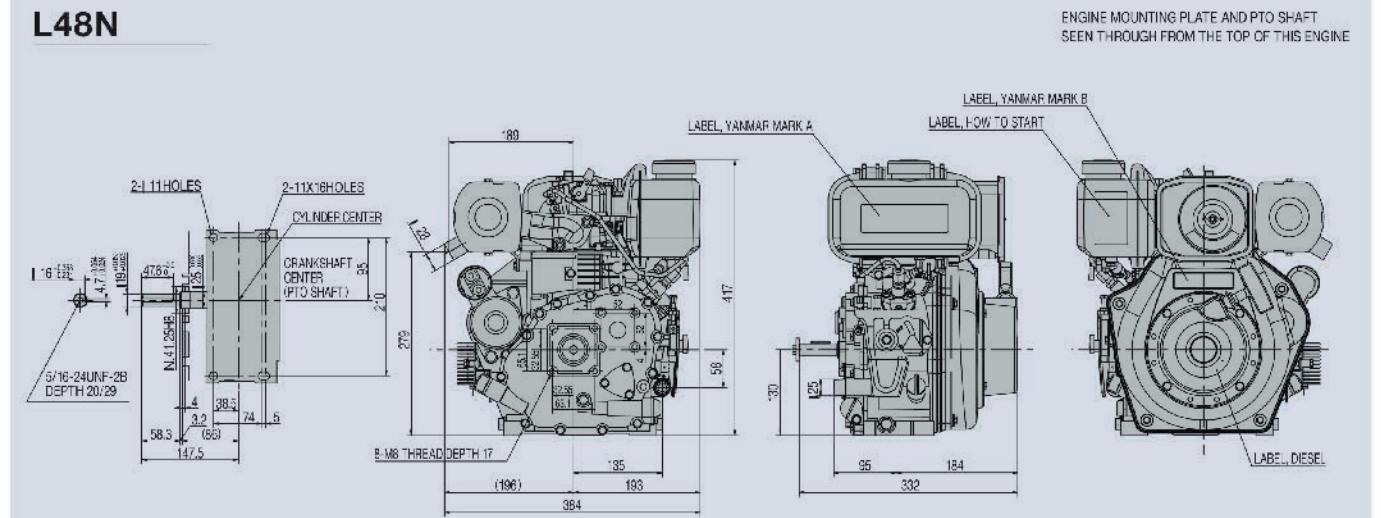


Notes: This performance is under the following condition.  
After 30 hrs. initial running  
Atmospheric conditions: Temperature 298 K (25°C)  
Pressure 100 kPa (750 mmHg)  
Humidity 30%



Notes: This performance is under the following condition.  
After 30 hrs. initial running  
Atmospheric conditions: Temperature 298 K (25°C)  
Pressure 100 kPa (750 mmHg)  
Humidity 30%

# Engine Dimensions



# PTO

## Dimensions

	Keyway shaft		Taper shaft			Thread shaft		PTO Flanges
Application code	E-D	D	E-DG	DG	E-DI	E-DP	DP	
<b>L48N</b>								
<b>L70N</b>								
<b>L100N</b>								